

Assembling Instructions for Shopfitting Shelves

General information:

A: Important information before assembly

The assembly steps are described in these assembly instructions without text. Certain procedures are explained with pictograms (symbols). The meanings of the individual pictograms are given in the pictogram overview.

The regulations and notes given in these assembly instructions must be implemented during the assembly, putting into service and during use of the wallshelving and gondolas. If you have any questions or require technical support, please contact us on 0031 (0) 55 301 59 21 or on sales@rcswinkelinrichting.nl

B: Notes on accident prevention



Caution ***It is not permitted to climb onto or up the shelves.***

Please note! The graphic illustrations of the shelves and shelving parts given in these instructions may differ slightly from the shelf delivered due to technical advances. This has no effect on the content and significance of these assembly instructions, the assembly instructions must always be observed.

Please note! We reserve the right to produce colour differences and to make technical changes, required due to further development.

Assembly instructions for shelves and gondolas

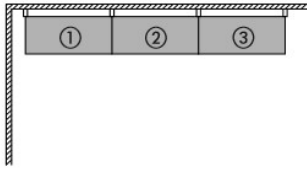
Before starting the assembly, we recommend you sort the boxes and packages in the following order. Complete the assembly in the same order.

1. Uprights and baselegs
2. Plinths
3. Back panels
4. Shelf brackets
5. Shelves
6. Supplementary parts and add-ons
7. Accessories

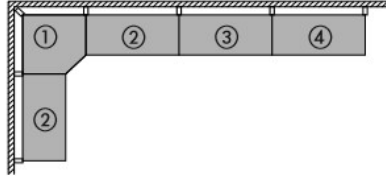
Straight Shelving.

We recommend you assemble and erect the shelves in the given order (1, 2, 3 ...). Where shelves have corner sections you should erect these first.

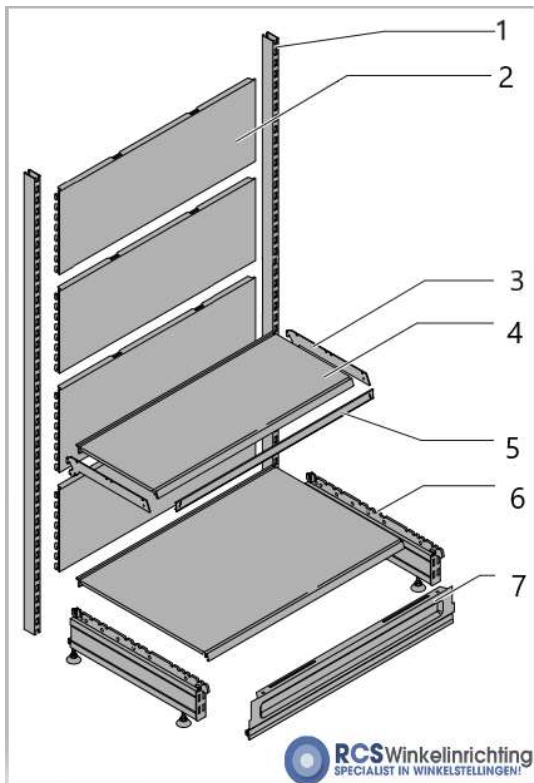
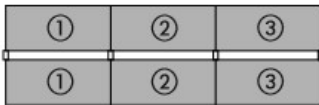
Straight shelving



Shelving with internal corner



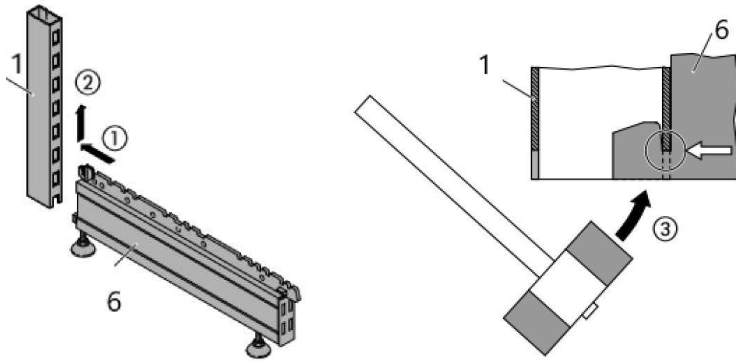
Gondola



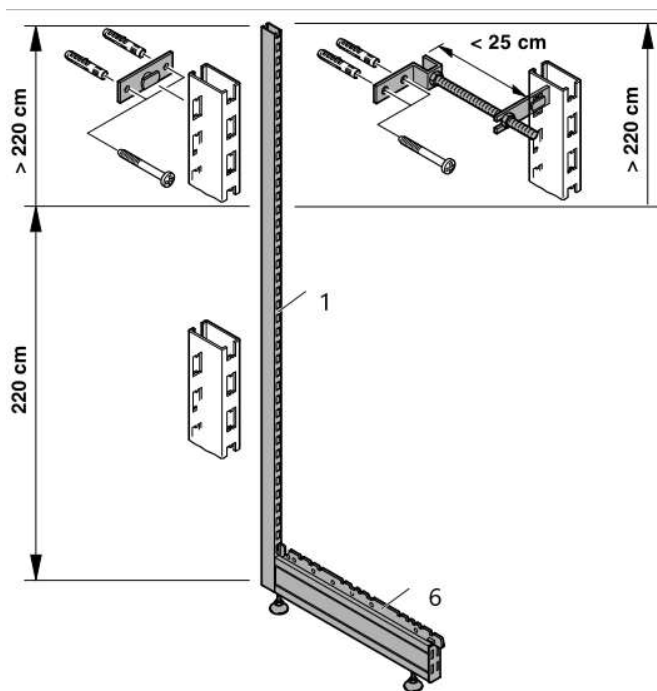
Overview of the shelving components and their function

1. Upright – for hanging the baselegs, shelf brackets and rear panels.
2. Backpanel – rear facing.
3. Shelf bracket – for hanging the shelves.
4. Shelf.
5. Ticket strip – for inserting price tickets.
6. Baseleg – upright holder.
7. Plinth – bottom facing.

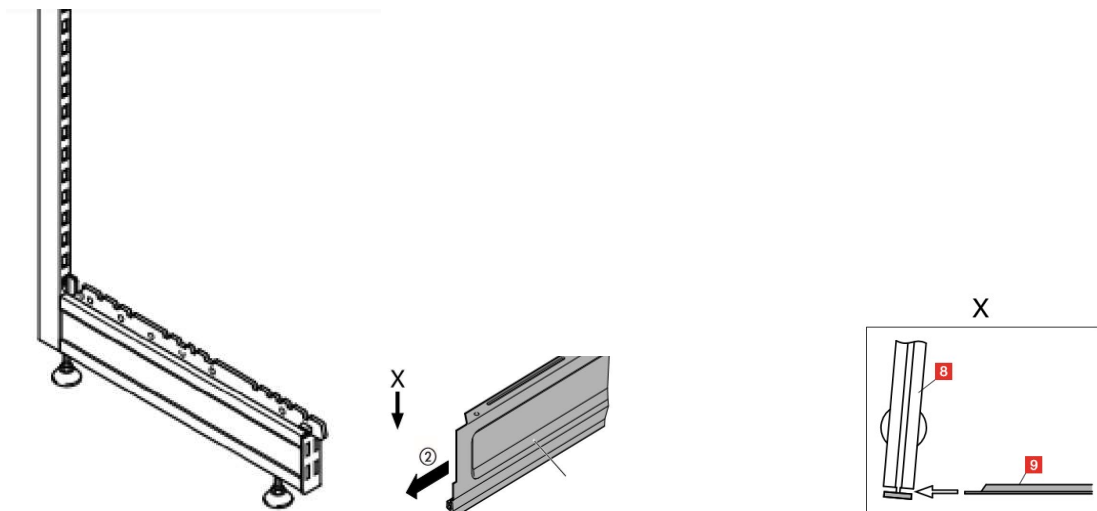
Connect baselegs 6 with uprights 1



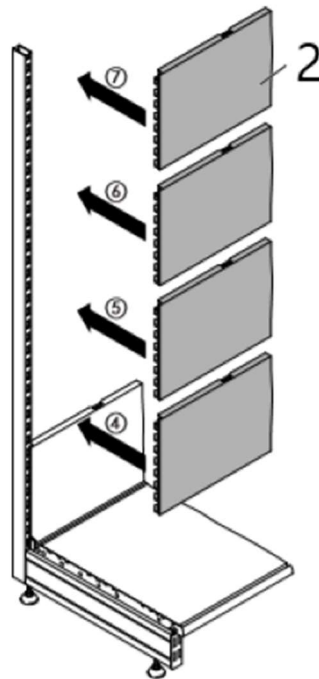
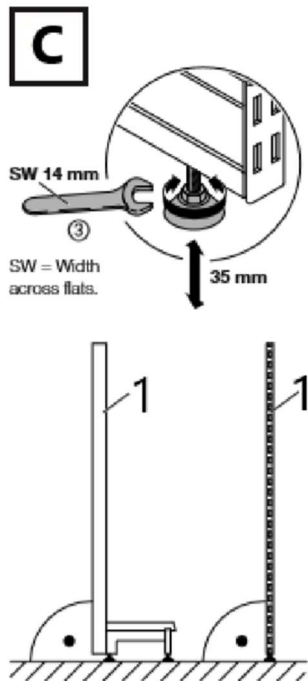
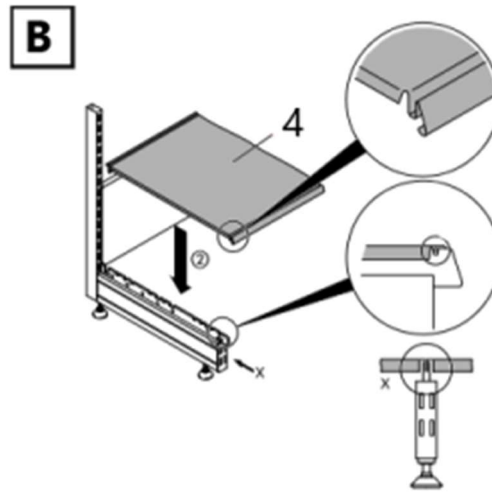
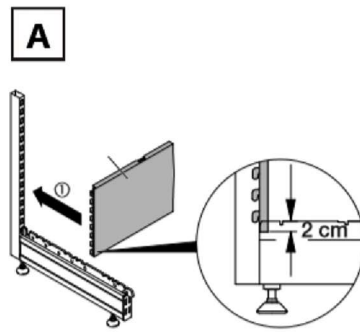
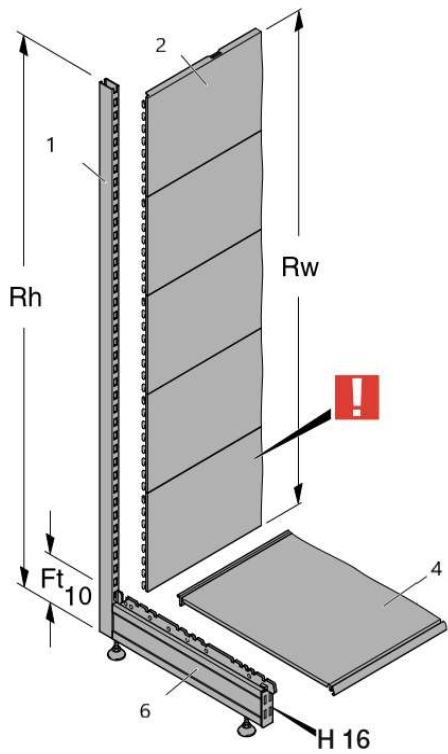
Wall fastening



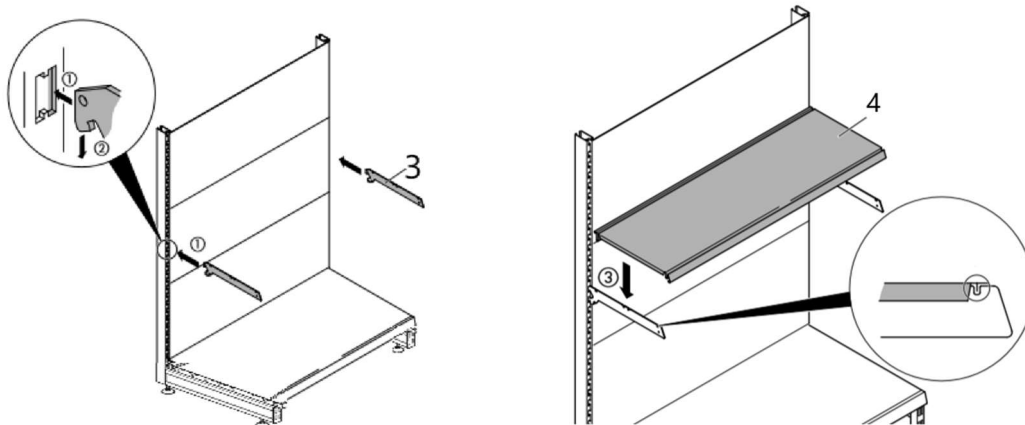
Fitting Plinths



Backpanel assembly



Shelves



Shelves on <u>brackets</u> , admissible load per shelf in kg									
Support type		Bracket 2H			Bracket 3H		Bracket 3H heavy-duty		
Axial distance in cm	Shelf depth in cm	T30	T37	T47	T47	T57	T47	T57	T67
	66,5	110	100	90	170	150	230	180	160
	100	110	100	90	170	150	230	180	160
	125	110	100	90	170	150	230	180	160
	133	110	100	90	170	150	230	180	160

Shelves on <u>baselegs</u> , admissible load per shelf in kg						
Shelf 0,8 support 0,6mm						
Support type		Baselegs H16 /H26				
Axial distance in cm	Shelf depth in cm	T37	T47	T57	T67	T77
	66,5	230	290	350	450	360
	100	200	290	310	350	290
	125	155	260	270	310	270
	133	140	230	250	300	240

Max. 220 cm	Upright					
	av shelf	T37	T47	T57	T67	T77
	baseleg	T47	T57	T67	T77	T77
	60x30	250	200	150	N.A.	N.A.
80x30	400	350	300	250	200	

Example:

Upright		Shelves
height max. 220 cm		T37
	60x30	T47
		T47
	80x30	T47
		T57
		T57 on baseleg

Total depth of shelves without shelf on baseleg: 37+47+47+47+57 = 235
Quantity of shelves without shelf on baseleg: 5
Average depth: 235/5 = 47

Admissible load for baseleg H16 / H26 wall shelving stands or gondolas in kg

Upright		Max. load (kg) with average depth of				
Max. 220 cm		T37	T47	T57	T67	T77
		baseleg 47 cm min.	baseleg 57 cm min.	baseleg 67 cm min.	baseleg 77 cm min.	baseleg 77 cm min.
	60x30	250	200	150	N.A.	N.A.
80x30	400	350	300	250	200	

